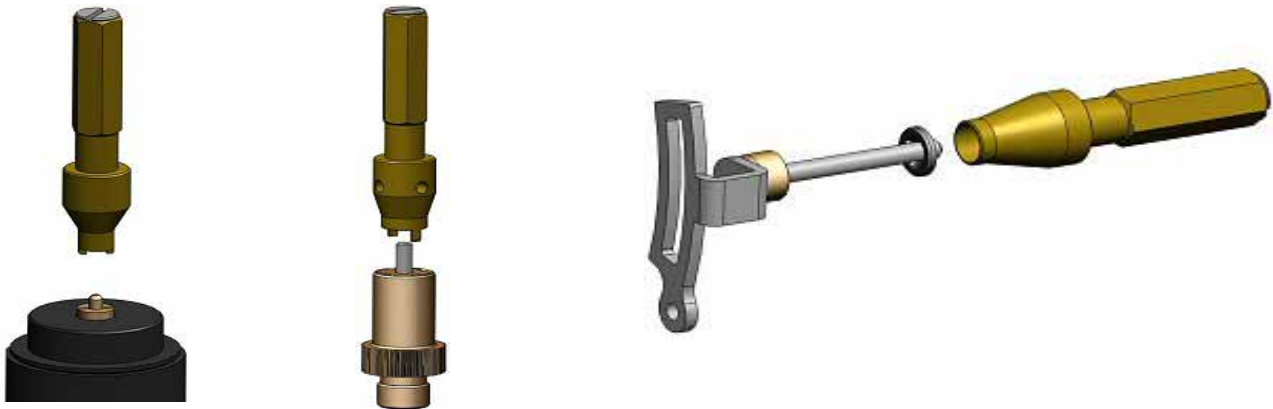




MULTI-TOOL



This is a 'must have' tool for all Roundhouse owners. As well as flat and Philips head screw driver blades, it includes specially made bits for adjusting the safety valve, removing and replacing the gas filler valve and, for the kit builder, one for fitting 'starlock' washers.



All bits are 1/4" hexagon shank and are held in the tool holder magnetically. As a bonus, the internal magnet extends out on a telescopic shaft to give you a useful pick up device for when you drop small parts in hard to get to places.

Sold as a set for AU\$ 60.00 (inc GST) or individual tips for AU\$ 14.00 each (inc GST) - see our Products and Pricing page.

WARNING Safety valves are set to the correct blow off pressure by the manufacturer. Any adjustment to the safety valve relief setting should only be made by a competent person who fully understands the implications of doing so. Please see "Miniature Steam Engines Are Not Toys" in our 'LIBRARY, DIARY & LINKS' section at www.argyleloco.com.au.